

**Introducing...**

**A major new safety and efficiency initiative from the World's No 1 in rough terrain handling**



**The Manitou Roof Truss Jib**

**offers you:**

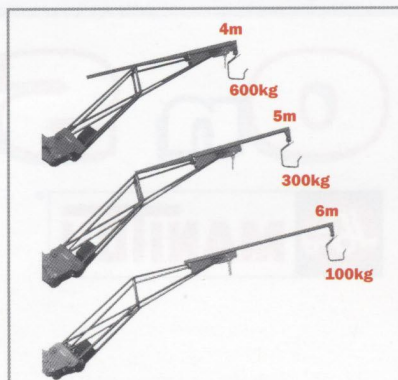
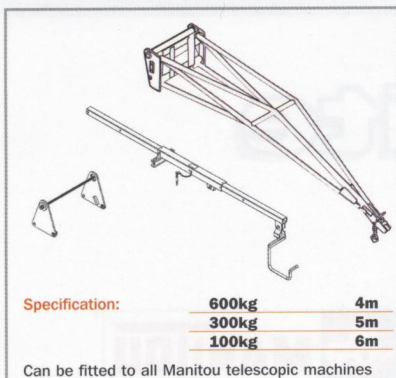
**Carrying of roof truss packs in parallel with the machine**

**Variable jib length for precise forward reach at placing height**



**Travelling with the boom at its lowest point for improved visibility and stability**

**MANITOU ROOF TRUSS JIB**



The extension jib can be used for carrying trusses provided the weight is within the specification chart.

The Truss Handling attachment has 3 hook positions - fully retracted and 2 extended positions

**Safe On Site**  
WITH **MANITOU**

## Carrying



Packs of up to 600kg in weight can be carried on the truss jib.

Trusses can be carried across the machine at right angles to the direction of travel or lengthways in line with the direction of travel.

## Placing

Raise to height required to clear the scaffolding.

Position machine close to scaffold with truss parallel with building/scaffold.

Extend boom and position jib to place truss where required.

A retro kit can be supplied to convert existing P600 MT Manitou Crane Jibs

# Safe On Site

WITH



MANITOU (SITE) LIFT Ltd.  
Ebblake Industrial Estate,  
VERWOOD, Dorset BH31 6BB  
Tel: 01202 825331  
www.manitou.com



Finance

Tel: 01256 377389

